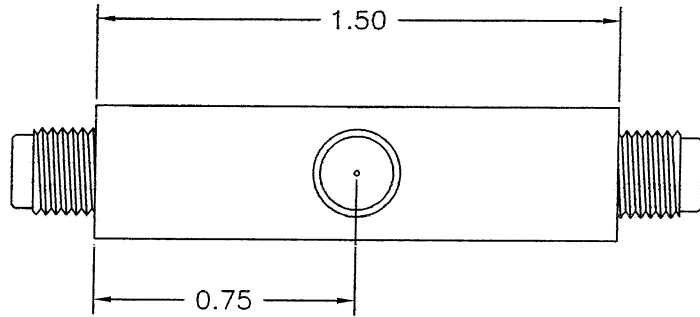


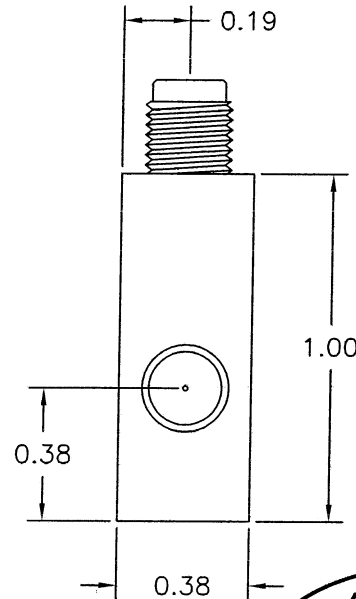
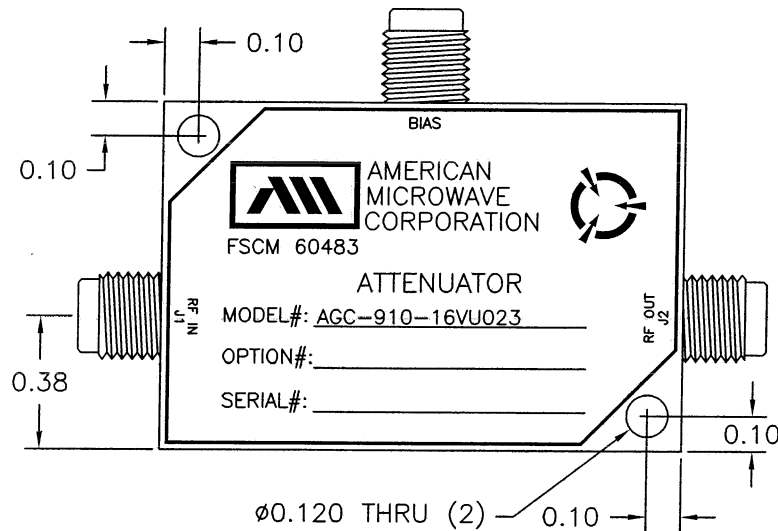
DESCRIPTION

AMC MODEL AGC-910-16VU023 IS AN ABSORPTIVE CURRENT CONTROLLED ATTENUATOR OPERATING OVER A FREQUENCY RANGE OF 9 TO 10 GHZ WITH A DYNAMIC RANGE OF 15dB MINIMUM.

REVISIONS				
ZONE	REV.	DESCRIPTION	DATE	APPROVED
-		ORIGINAL RELEASE JOB# 501008E	3/1/05	



MECHANICAL OUTLINE



ALL DIMENSIONS ARE IN INCHES
 TOLERANCES:
 X.XX ±0.020
 X.XXX ±0.010

AMERICAN MICROWAVE CORPORATION

7311-G GROVE ROAD
 FREDERICK, MARYLAND 21704 USA
 TEL: 301-662-4700 FAX: 301-662-4938
 WEBSITE: www.americanmicrowavecorp.com
 E-MAIL: sales@americanmicrowavecorp.com
 ISO 9001:2000 CERTIFIED



APPROVALS		DATE	TITLE			REV.
DRAWN		2/1/05	MECHANICAL OUTLINE			
CHECKED		3/9/05	AGC-910-16VU023			
ISSUED		3/9/05	9-10 GHz CURRENT CONTROLLED ATTENUATOR			
SCALE	N:S		SIZE	FSCM NO.	DWG NO.	
			A	60483	100-7362	-
					SHEET	2 OF 3

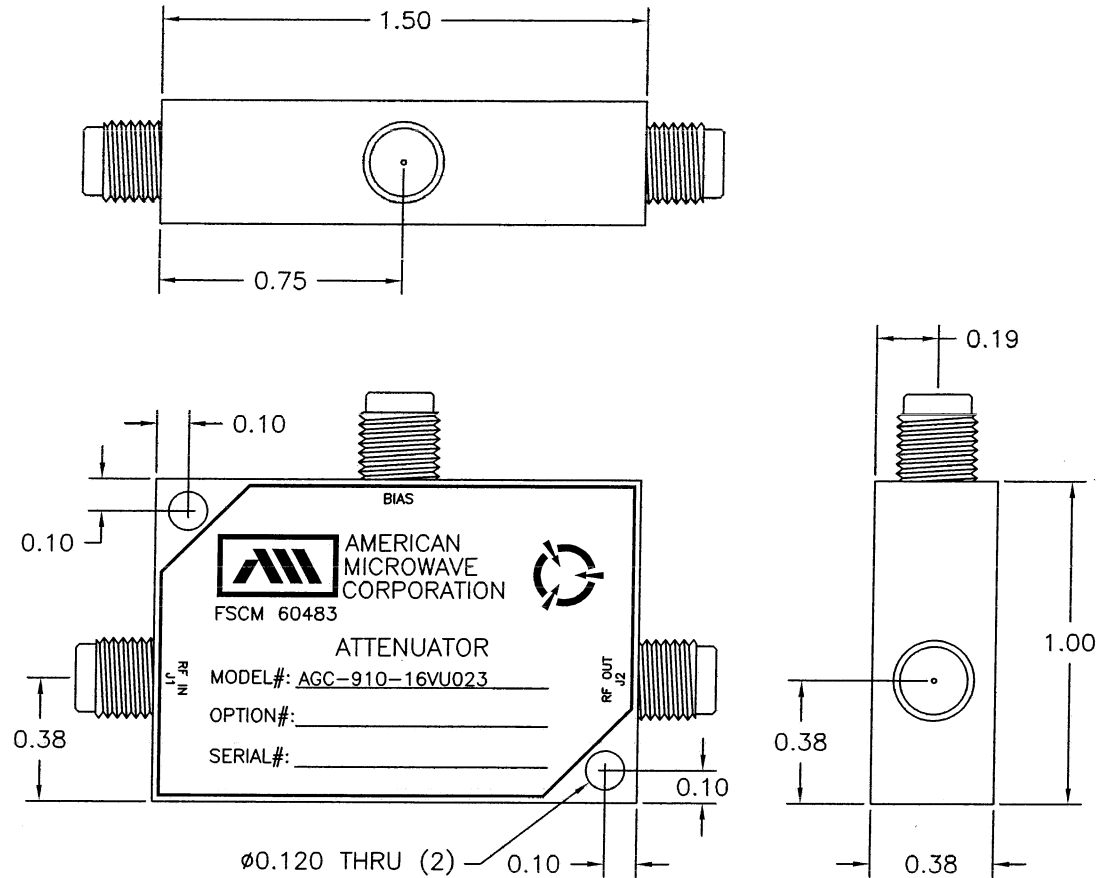
DESCRIPTION

AMC MODEL AGC-910-16VU023 IS AN ABSORPTIVE CURRENT CONTROLLED ATTENUATOR OPERATING OVER A FREQUENCY RANGE OF 9 TO 10 GHZ WITH A DYNAMIC RANGE OF 15dB MINIMUM.

REVISIONS				
ZONE	REV.	DESCRIPTION	DATE	APPROVED
-	-	ORIGINAL RELEASE	JOB# 501008E	3/1/05

SPECIFICATIONS

- FREQUENCY RANGE: 9 TO 10 GHz
- INSERTION LOSS: 2.0 dB MAXIMUM
- VSWR: 1.7:1
- RISE TIME: 500 nSec MAXIMUM
- DC CONTROL: 0V LOW LOSS
+20mA ATTENUATION
- DYNAMIC RANGE: 15 dB MINIMUM
- POWER INPUT: +20 dBm CW
- CONNECTORS:
 - RF: SMA FEMALE
 - CONTROL: SMA FEMALE
- SIZE: 1.50" (L) x 1.00" (W) x 0.38" (H)



ENVIRONMENTAL RATINGS:

- TEMPERATURE: -55°C TO +85°C (OPERATING)
-65°C TO +125°C (STORAGE)
- HUMIDITY: MIL-STD-202F, METHOD 103B COND. B
- SHOCK: MIL-STD-202F, METHOD 213B COND. B
- VIBRATION: MIL-STD-202F, METHOD 204D COND. B
- ALTITUDE: MIL-STD-202F, METHOD 105C COND. B
- TEMPERATURE CYCLE: MIL-STD-202F, METHOD 107D COND. A

NOTE: SPECIFICATIONS WILL VARY OVER OPERATING TEMPERATURE
NOTE: THE ABOVE SPECIFICATIONS ARE SUBJECT TO CHANGE OR REVISION

ALL DIMENSIONS ARE IN INCHES
TOLERANCES:
X.XX ±0.020
X.XXX ±0.010

AMERICAN MICROWAVE CORPORATION

7311-G GROVE ROAD
FREDERICK, MARYLAND 21704 USA
TEL: 301-662-4700 FAX: 301-662-4938
WEBSITE: www.americanmicrowavecorp.com
E-MAIL: sales@americanmicrowavecorp.com
ISO 9001:2000 CERTIFIED



APPROVALS		DATE	TITLE		
DRAWN <i>JCM</i>		2/1/05	PRODUCT FEATURE		
CHECKED <i>LA</i>		3/9/05	AGC-910-16VU023		
ISSUED <i>LC</i>		3/9/05	9-10 GHz CURRENT CONTROLLED ATTENUATOR		
SIZE	FSCM NO.	DWG NO.	REV.		
A	60483	100-7362	-		
SCALE N:S			SHEET 1 OF 3		